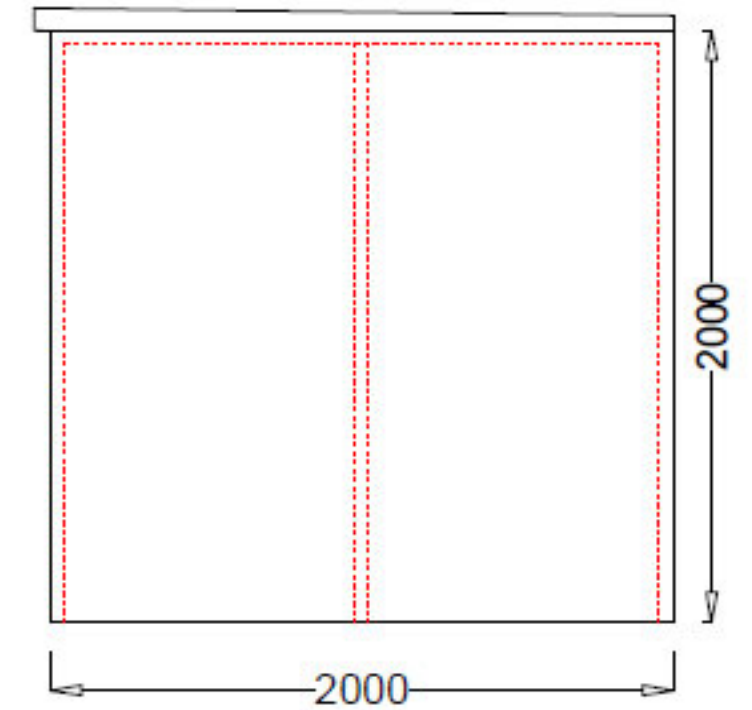
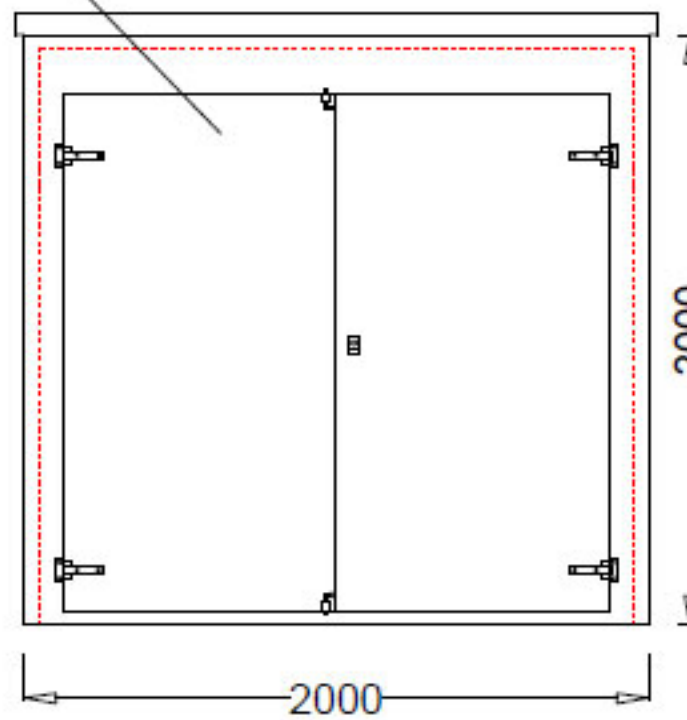
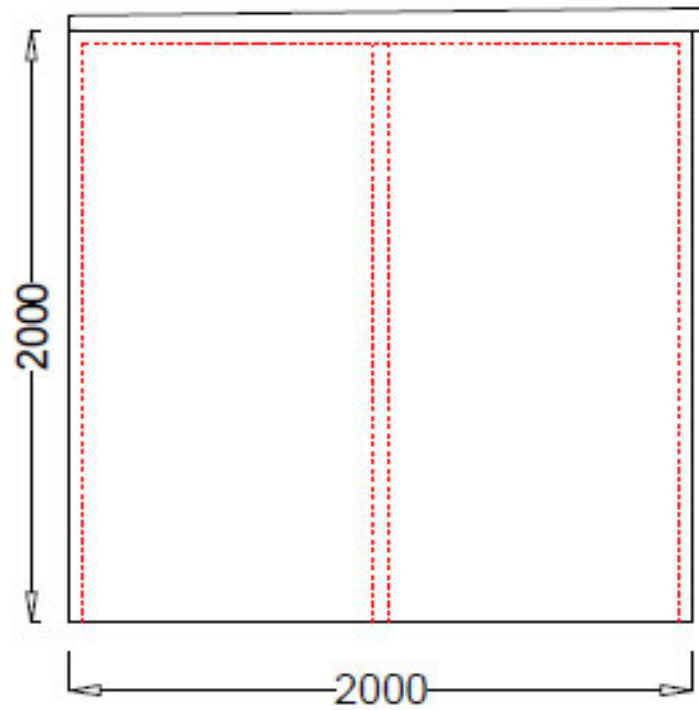
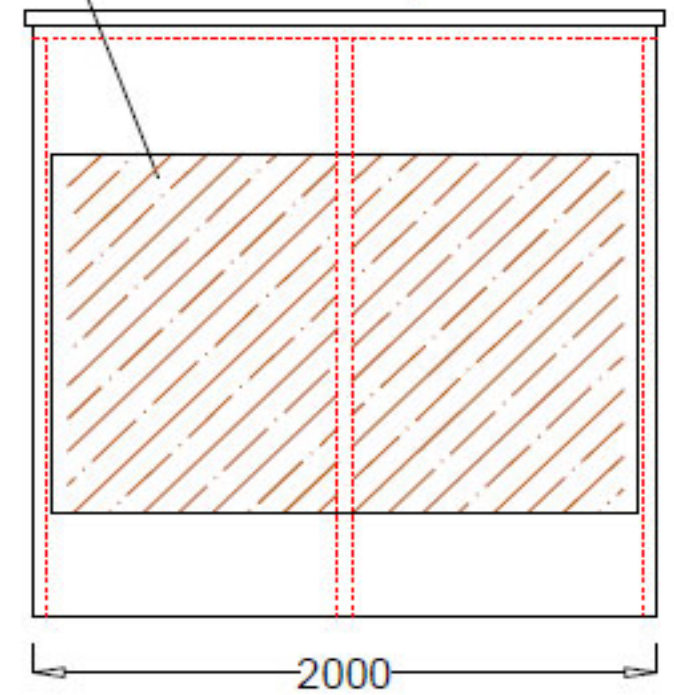


Clear Internal Dimensions - 1950mm x 1890mm x 2000mm

- 1No. Double door (1750 mm W x 1750mm H Clear Opening)
- 4No. St/St Hinges
- 1No. Yale type Lock
- 2No. Shoot Bolts
- 1No. Compression Seal

1880mm x 1220mm x 18mm Surface Treated Ply Backboard.



NTS@A3

DRAWING STATUS	DD/MM/YY	REVISIONS	
		DD/MM/YY	REMARKS
ISSUED FOR INFORMATION	19/04/2021	1	...
ISSUED FOR TENDER		2	...
ISSUED FOR COMMENT		3	...
ISSUED FOR APPROVAL		4	...
ISSUED FOR CONSTRUCTION		5	...
ISSUED AS INSTALLED			



BRITISH GYPSUM

INVERTER GRP LAYOUT

DRAWN BY

R.H

CHECKED BY

A.L

EQ 5005
E-40-04